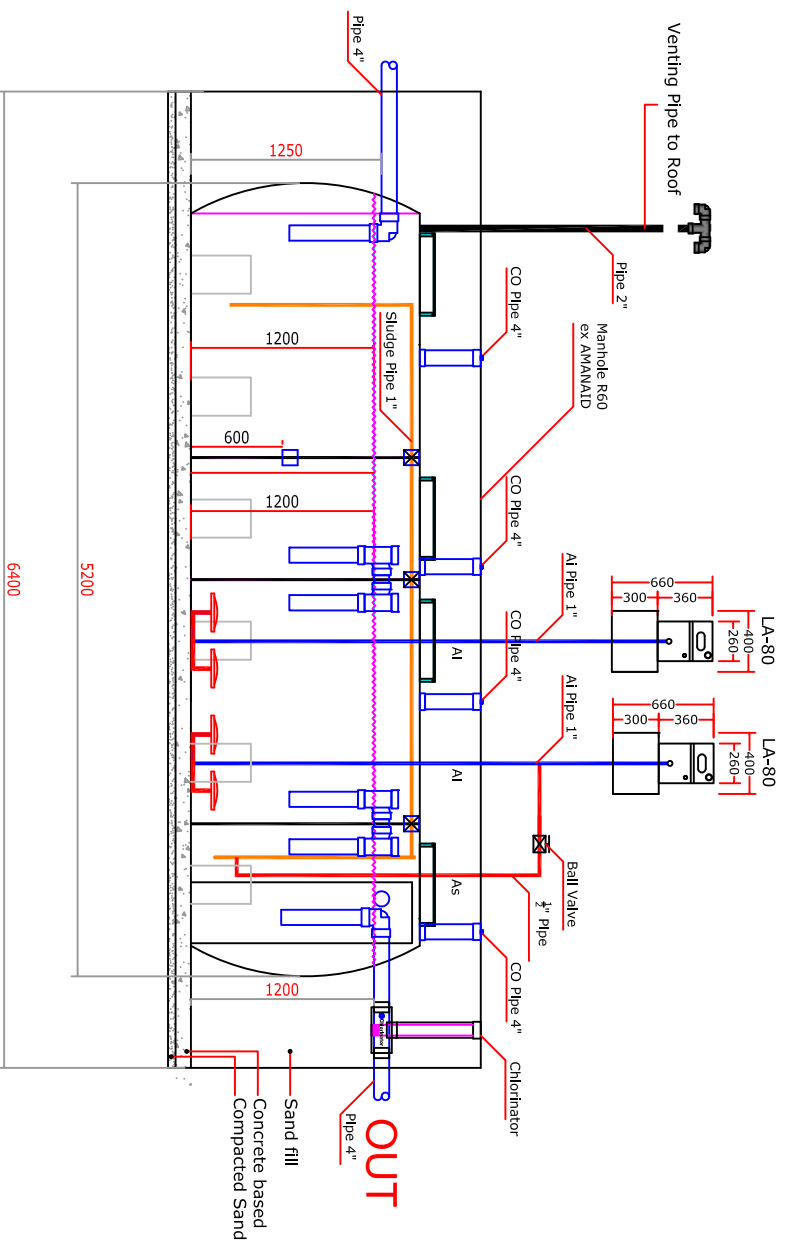
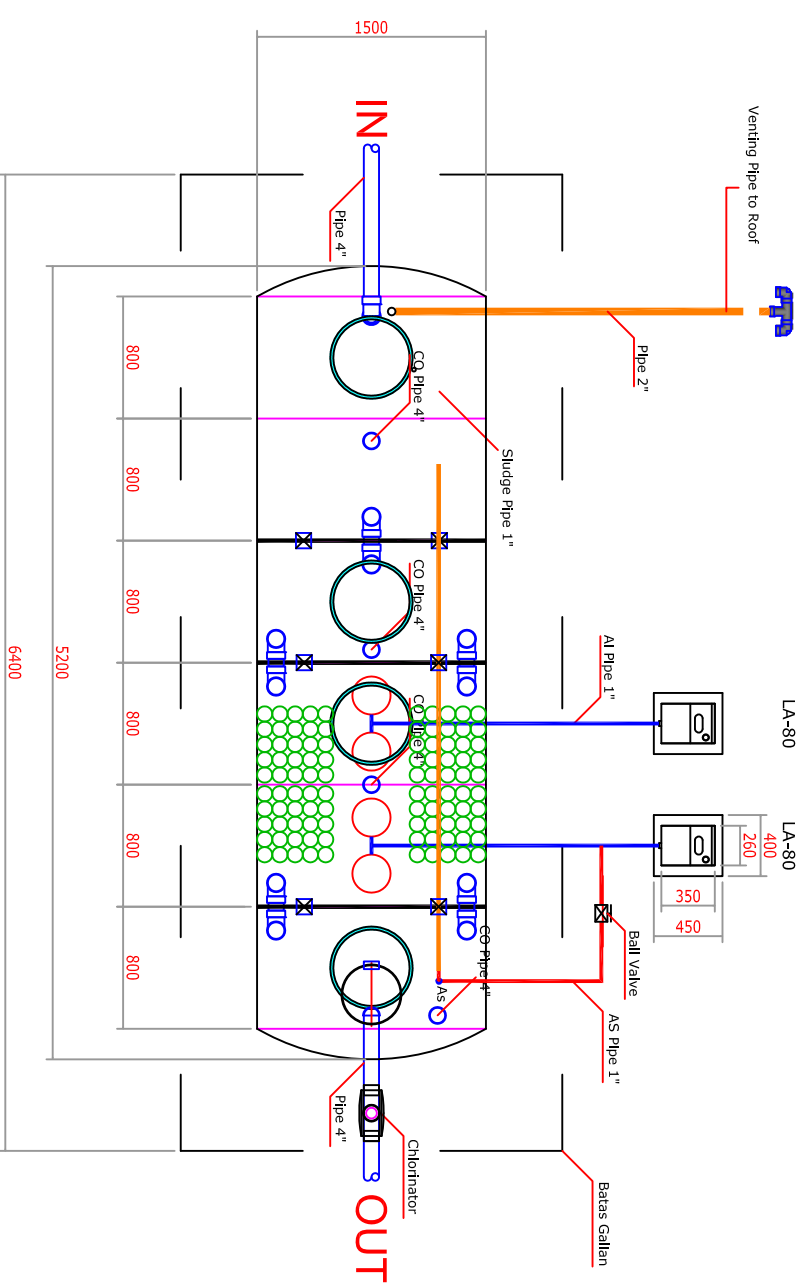



TAMPAK SAMPIING



POTONGAN

 <p>PT. AMANAID Design &amp; Build Waste Water Treatment System Jl. Kusuma Bangsa no 3, Depokasir Bali Ph: 0961 9244526, 9244527 www.amanaid.com</p>	PROJECT NAME	OWNER	DRAWING TITLE	DRAWING NO	PAPER: A3	DRW BY	CHECKED BY	DATE	REVISI
		PT. AMANAID	<b>BSTP-20</b>		SCALE : <b>1 : 25</b>	<b>P4N</b>			