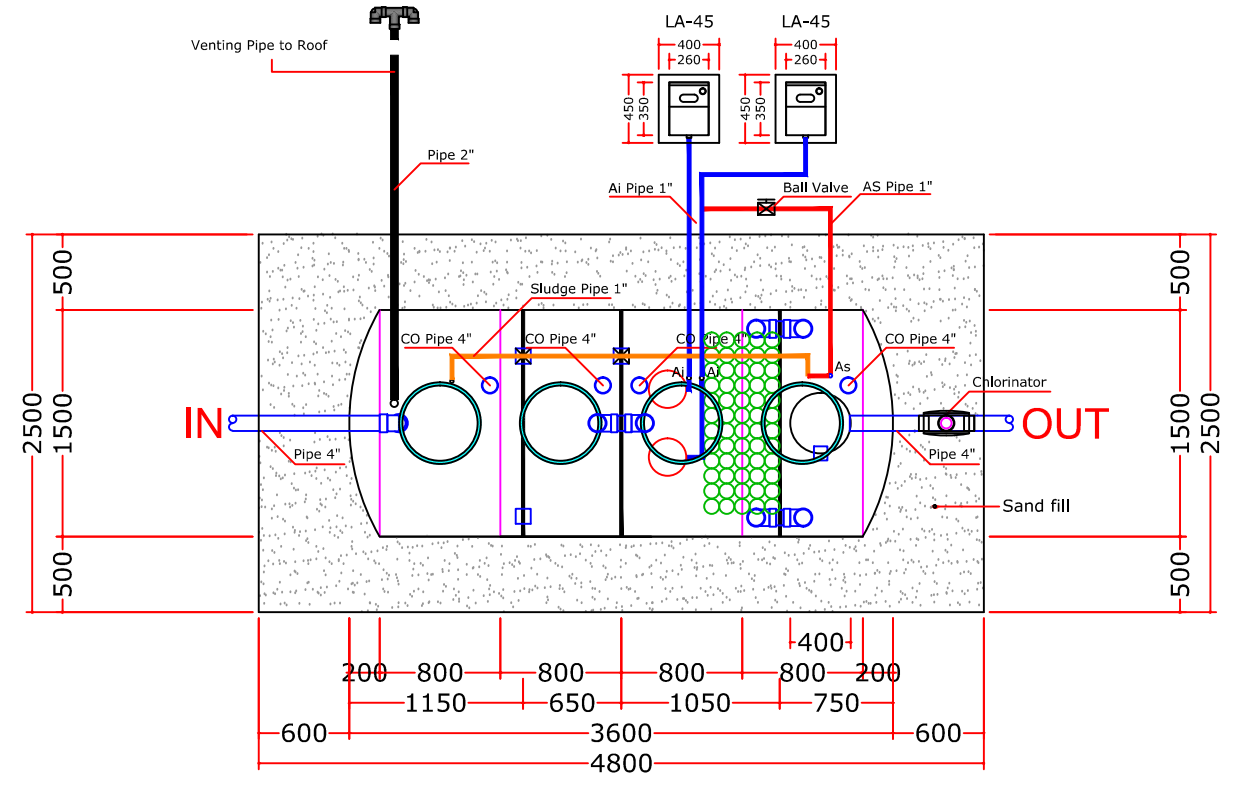
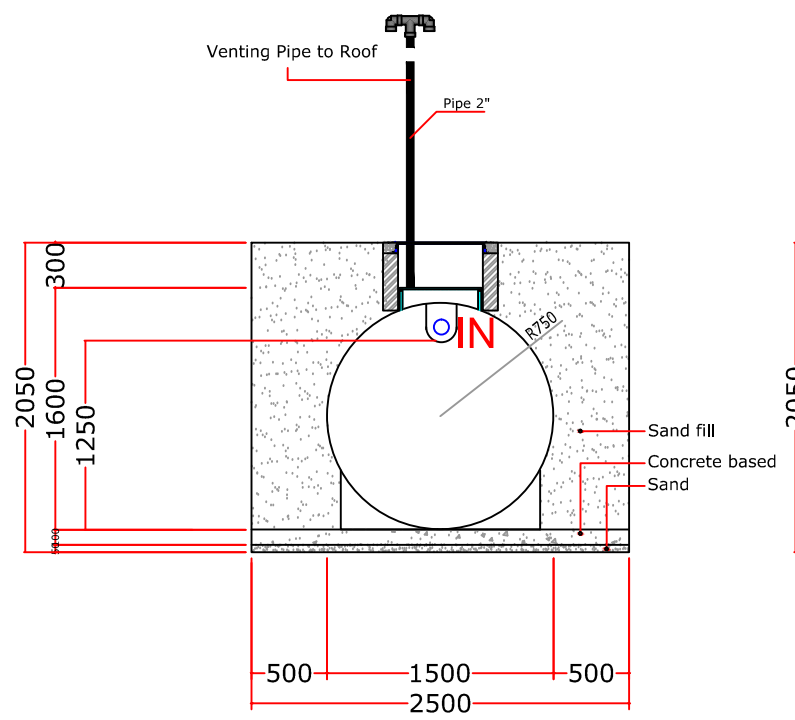


NOTES / CATATAN :

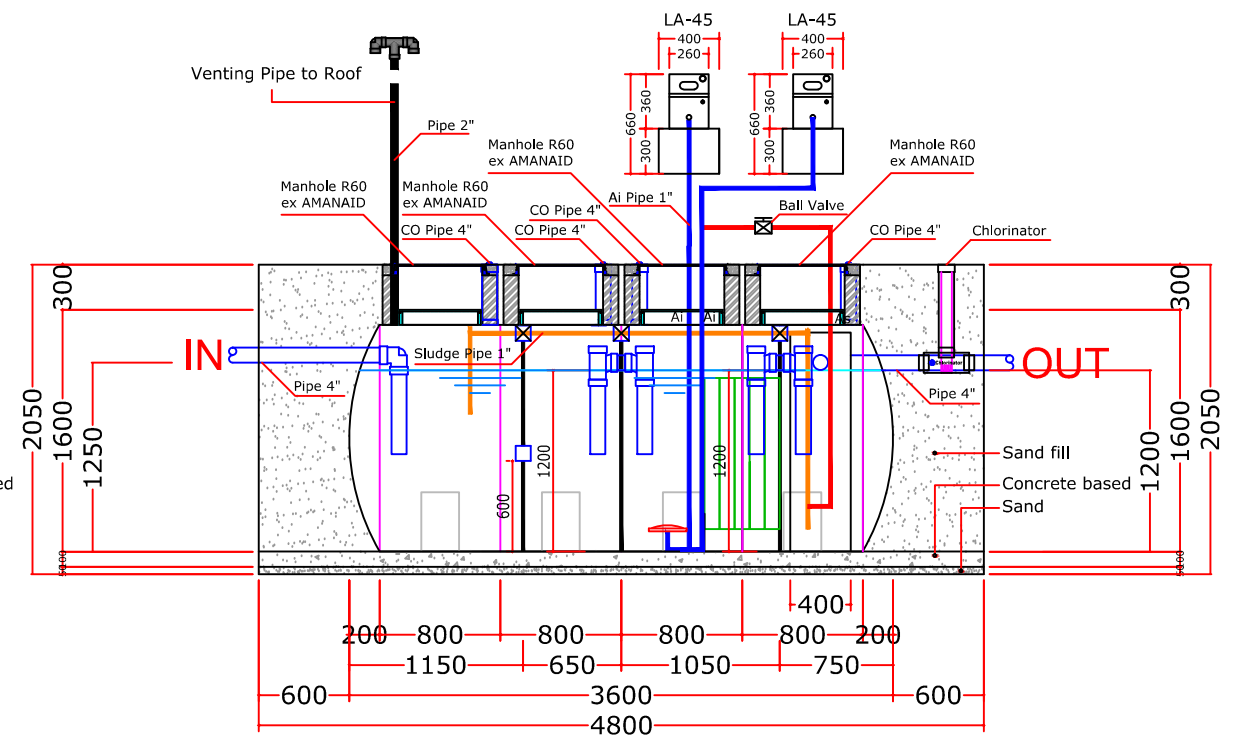
Legend :



TAMPAK ATAS



TAMPAK SAMPIING



POTONGAN

REVISION

NO.	DESCRIPTION	DATE	CHECK

PROJECT / PROYEK :

OWNER / PEMILIK :

CONSULTANT / KONSULTAN :

PT. AMANAID

DRAWING TITLE / JUDUL GAMBAR :

BSTP-12

Desain by : Number : Drawn by : Checked by :	Project No. : Drawing No. : File No. : Scale : Date :
---	---

THESE DRAWINGS ARE AN INSTRUMENT OF SERVICE AND ARE THE PROPERTY OF THE CREATOR ANY USE OF THE DRAWINGS WITHOUT THE PRIOR EXPRESS WRITTEN PERMISSION OF PT. AMANAID IS A VIOLATION OF COPYRIGHT AND WILL BE LIABLE TO PROSECUTION. DO NOT SCALE FROM DRAWINGS USE ONLY GIVEN DIMENSIONS ALL DIMENSIONS ARE IN MILLIMETERS UNLESS OTHERWISE NOTED